

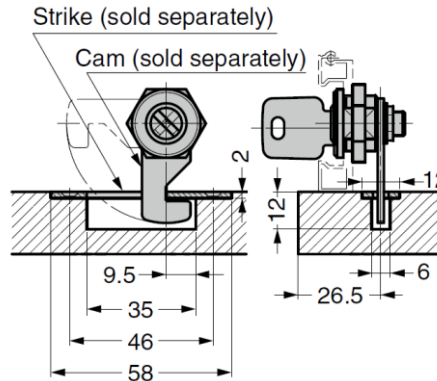
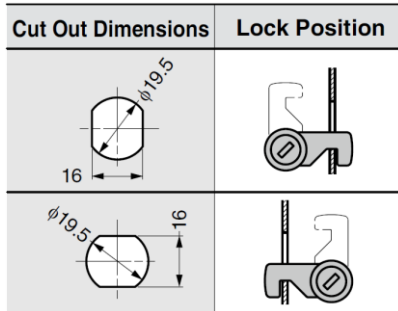
## GDIS-022 Cam Lock

### Features

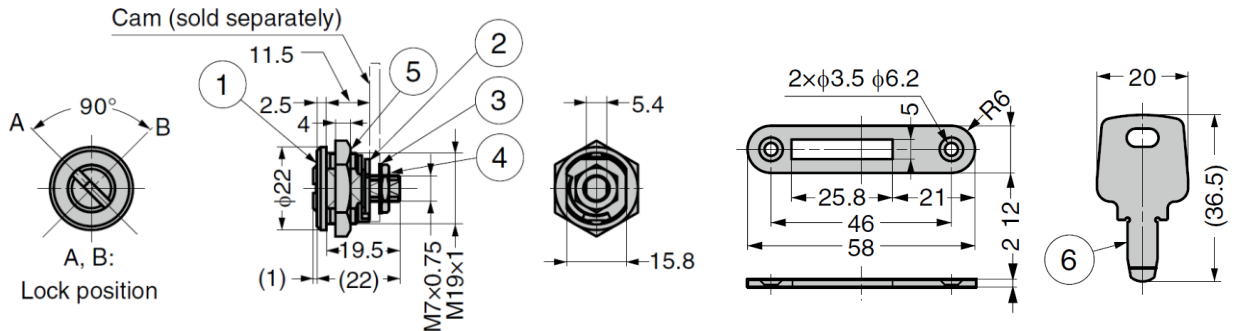
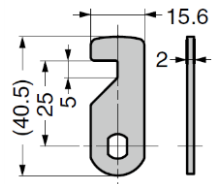
- Thin cylinder lock with dimple key
- Reversible key can be removed when in locked or unlocked positions (90° rotation)

### Sold Separately

- Stainless cam **GDIS-010**
- Stainless strike **GDIS-011**



Strike (sold separately)



No.	Part Name	Material	Finish
①	Body	Brass	Chrome
②	Angle Restricting Cam	Steel (SPCC)	Coloured Zinc Chromate (Trivalent)
③	Washer	Steel	
④	M7 Hex Nut		
⑤	M19 Hex Nut	Zinc Alloy (ZDC)	
⑥	Key	Brass	Nickel

### Body

Part No.	Key Type	Door Thickness
GDIS-022R-D	Keyed Alike	Max. 5

### Cam (sold separately)

Part No.	Material	Finish
GDIS-010	Stainless Steel 304	Barrel Polished

### Strike (sold separately)

Part No.	Material	Finish
GDIS-011	Stainless Steel 304	Barrel Polished